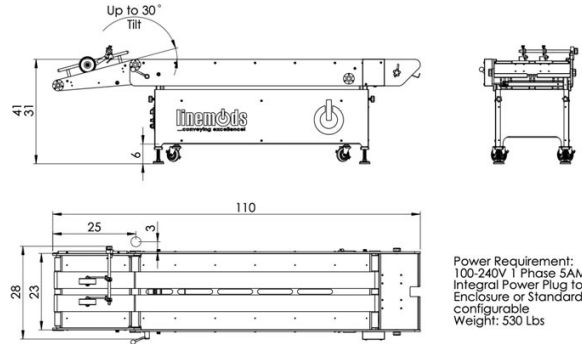




VPS 209

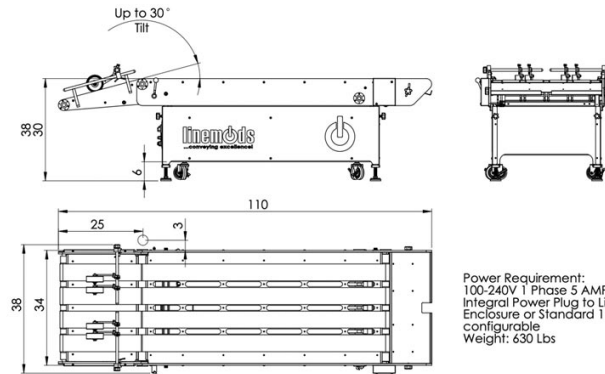
20" x 9' Premium Heavy-Duty Stacker



Power Requirement:
100-240V 1 Phase 5AMP
Integral Power Plug to Linemods
Enclosure or Standard 110v Plug
configurable
Weight: 530 Lbs

VPS 309

30" x 9' Premium Heavy-Duty Stacker



Power Requirement:
100-240V 1 Phase 5 AMP
Integral Power Plug to Linemods
Enclosure or Standard 110v Plug
configurable
Weight: 630 Lbs

Accessories

Batch Head

Ball Register Guide

Pressing Head 30



Attributes

- > Stepper drive
- > Maintenance free
- > Self-tensioning
- > Plugs directly into CNV receptacle on most Linemods machinery

Optional Accessories

- > Start, stop, feed and speed pendant
- > Right angle ball register for left/right angle operation
- > Batching head- Staggered shingle
- > Light tower
- > Standalone 110v power and I/O cables
- > Presser head - Compresses product-preparation for packing

Optional Features

Speed shift controls (integral hardware/software options)

Product Capacity

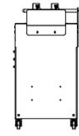
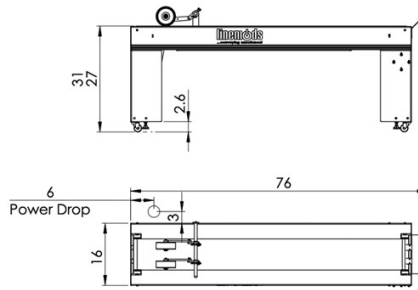
Width: 20" OR 30" width capacity x 9' long

Max Speed: 120' minute

Electrical: 100-240v 1 Ph / 5amps (configurable)

CNV 6

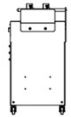
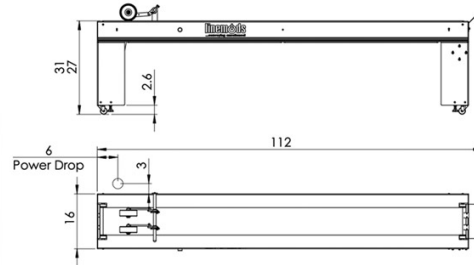
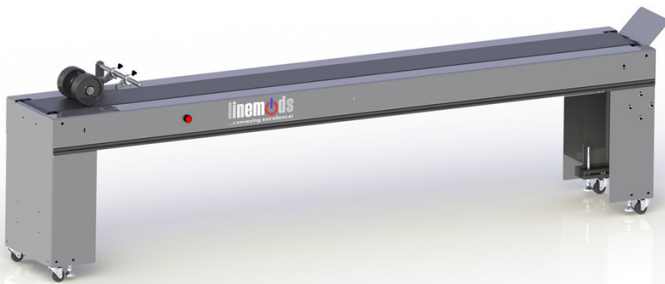
6' Premium Conveyor



Power Requirement:
100-240V 1 Phase 5AMP
Integral Power Plug to Linemods
Enclosure or Standard 110v Plug
configurable
Weight: 95 Lbs

CNV 9

9' Premium Conveyor



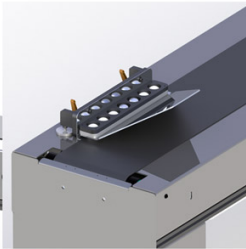
Power Requirement:
100-240V 1 Phase 5AMP
Integral Power Plug to Linemods
Enclosure or Standard 110v Plug
configurable
Weight: 125 Lbs

Accessories

Batch Head



Ball Register Guide



Attributes

- > Stepper drive
- > Maintenance free
- > Self-tensioning
- > Plugs directly into CNV receptacle on most Linemods machinery

Optional Accessories

- > Start, stop, feed and speed pendant
- > Right angle ball register for left/right angle operation
- > Batching head- Staggered shingle
- > Light tower
- > Standalone 110v power and I/O cables

Optional Features

Speed shift controls (integral hardware/software options)

Product Capacity

Width: 20" width capacity x 6' or 9' long

Max Speed: 120' minute

Electrical: 100-240v 1 Ph / 5amps (configurable)



Capital
Mailing Equipment Inc.



SCAN ME

11701 Metro Airport Center Drive
Romulus, MI 48174
(833) 263-6245
info@CapitalMailingEquipment.com
www.CapitalMailingEquipment.com