

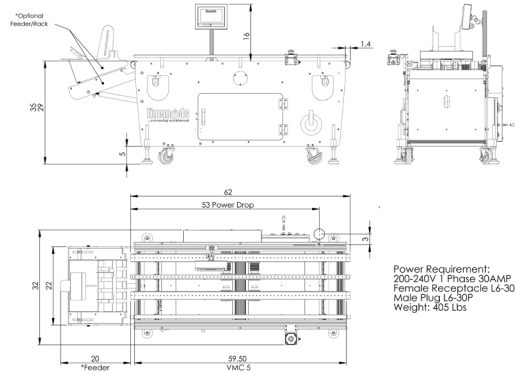


Capital
Mailing Equipment Inc.

High Performance Folder-Gluer and Packaging Equipment

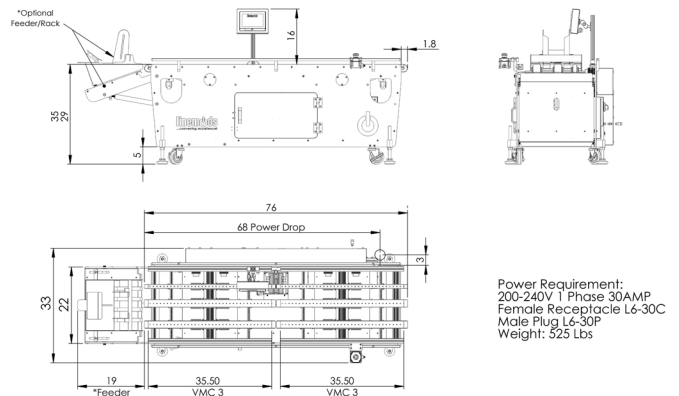
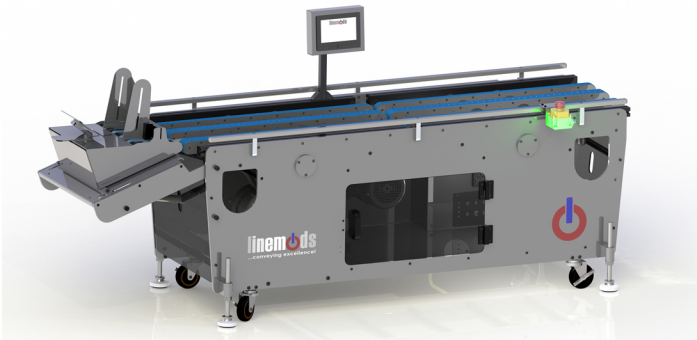
VMC 205

5' Vacuum Transport Base / Finishing Conveyor



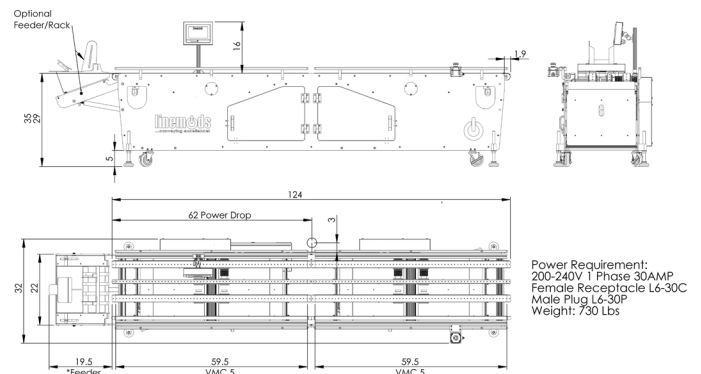
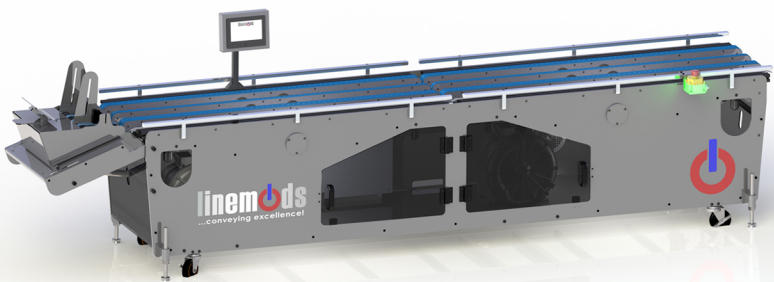
VMC 206

6' Vacuum Transport Base / Finishing Conveyor



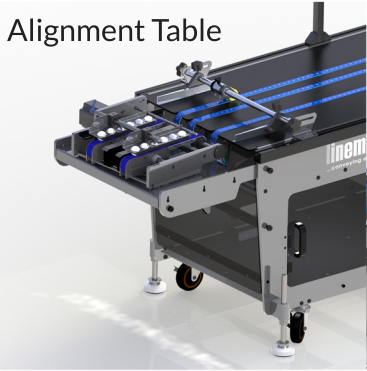
VMC 2010

10' Vacuum Transport Base / Finishing Conveyor

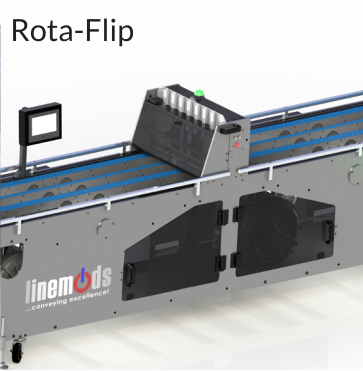


Accessories

Alignment Table



Rota-Flip



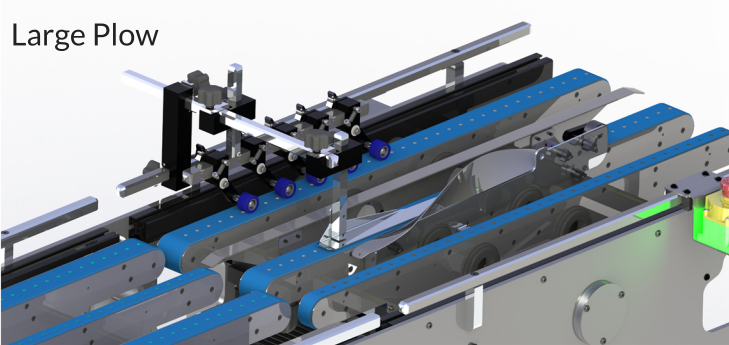
Down Divert



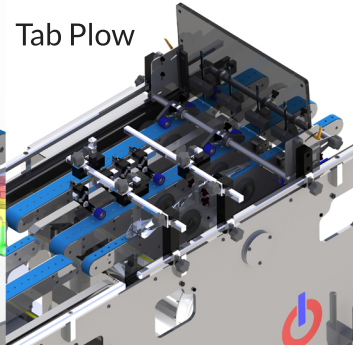
Up Divert 20



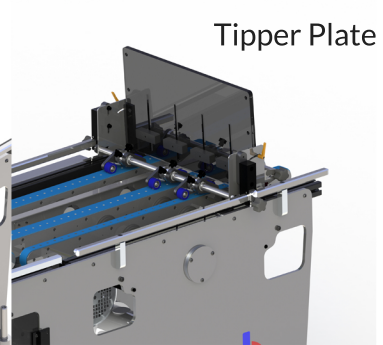
Large Plow



Tab Plow



Tipper Plate



Quality Without Compromise

Linemods VMC line vacuum transport/finishing conveyors - Quality without compromise, from the innovative vacuum system to the powder coated aluminum frames. Perform quick, easy, tool-less setups with the highest quality deck components available - We have designed this conveyor line from the ground up to cover the most demanding of environments. Plow folding, scanning, ink jetting or placement - Linemods VMC line provides outstanding performance and operator versatility and will prove to be the most user-friendly conveyor available today.

Design

- > Tool-less design - No tools needed to perform most set-ups/changeovers
- > Vacuum belt construction is of a friction resistant backer with a 55D rubber cover, perforated for vacuum integration - The slippery backer provides an extremely low coefficient of friction (belt to fixed surface)
- > Each segment of transport is vacuum regulated (2 segments per tube)
- > This vacuum system is engineered for consistent; even pull-down - "loaded" or "open deck" - **STALL RESISTANT AND POWERFUL**
- > Component design - All pivot points have bushings - expense not a factor in assembly - all components designed to last
- > 2-year warranty - We are confident with our parts/equipment design and back new equipment

Vacuum system engineered for application

- | | |
|-------------------|-------------------|
| > Self-modulating | > Stall-resistant |
| > Quiet | > Efficient |
| > Powerful | > Expandable |

Attributes

- > Advanced technology vacuum system
- > AC Vector Drive
- > Bi-directional
- > 3/8" Powder coated aluminum frames
- > Clutched handwheel
- > Adjustable height (6")
- > Rubber coated vacuum conveyor belts
- > Interchangeable 1" & 2" drives
- > Split vacuum chambers
- > Tool-less adjustments
- > Cantilevered infeed and discharge
- > Adjustment scales
- > Integrated encoder mount
- > I/O: Start, Stop, Feed and Speed

Product Capacity

Width:
Min. Width: 1-20+ / Max. Width: 21"

Product thickness range:
.05mm - 13mm

VMC Configuration: (5')
Max Speed: 450' - 600' minute
Electrical: 200-240v 1 Ph / 30amps



Capital
Mailing Equipment Inc.



SCAN ME

11701 Metro Airport Center Drive
Romulus, MI 48174
(833) 263-6245
info@CapitalMailingEquipment.com
www.CapitalMailingEquipment.com