

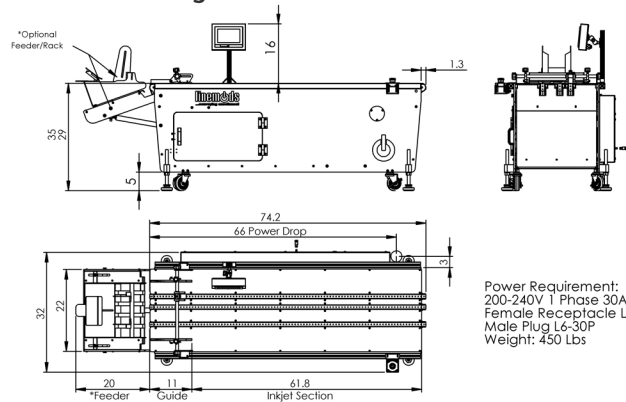
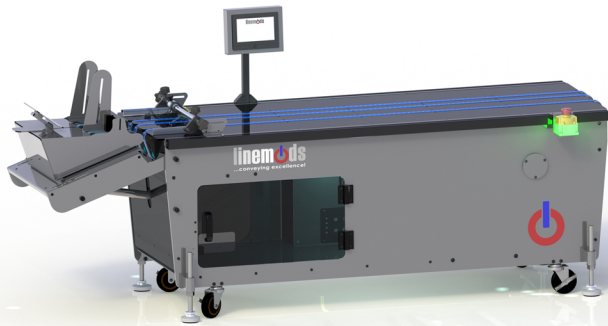


Capital
Mailing Equipment Inc.

**High Performance
Inkjet Bases and
Packaging Equipment**

Stealth 206

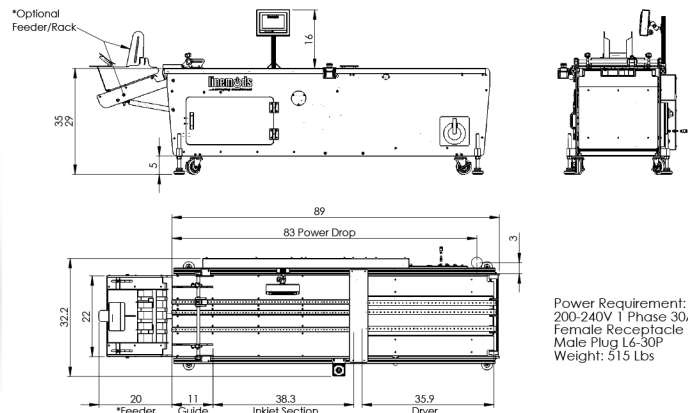
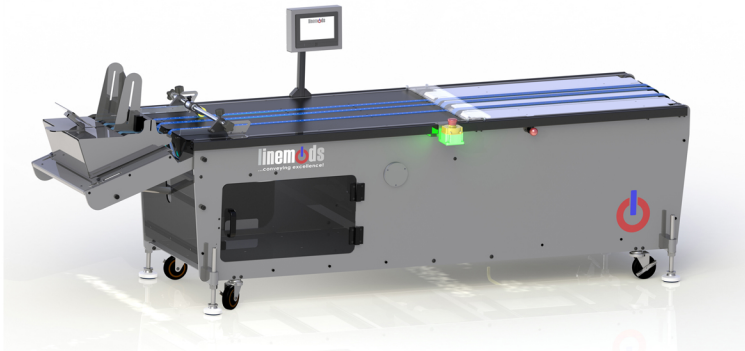
6' Premium Inkjet Base



Power Requirement:
200-240V 1 Phase 30AMP
Female Receptacle L6-30C
Male Plug L6-30P
Weight: 450 Lbs

Stealth 207

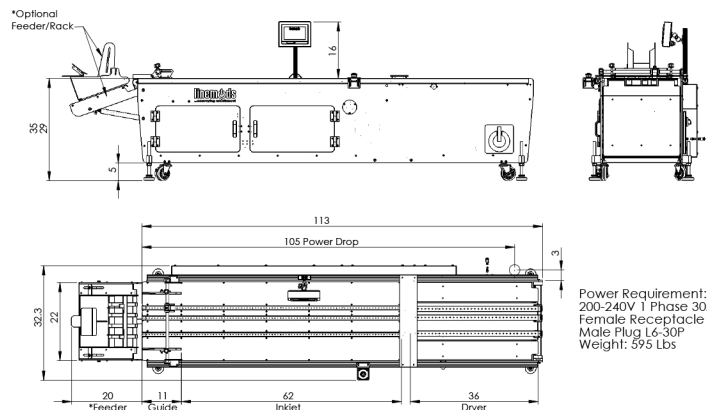
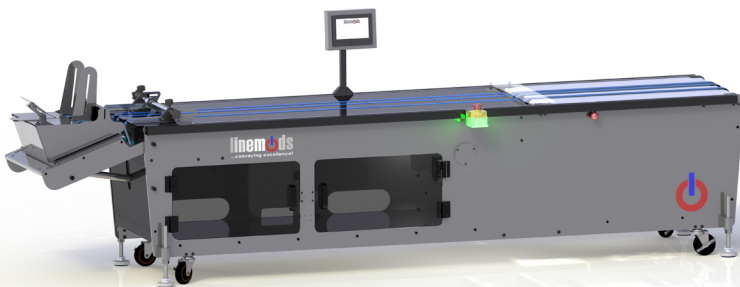
7' Premium Inkjet / Dryer Base
Split Base with High-Temp Dryer Extension



Power Requirement:
200-240V 1 Phase 30AMP
Female Receptacle L6-30C
Male Plug L6-30P
Weight: 515 Lbs

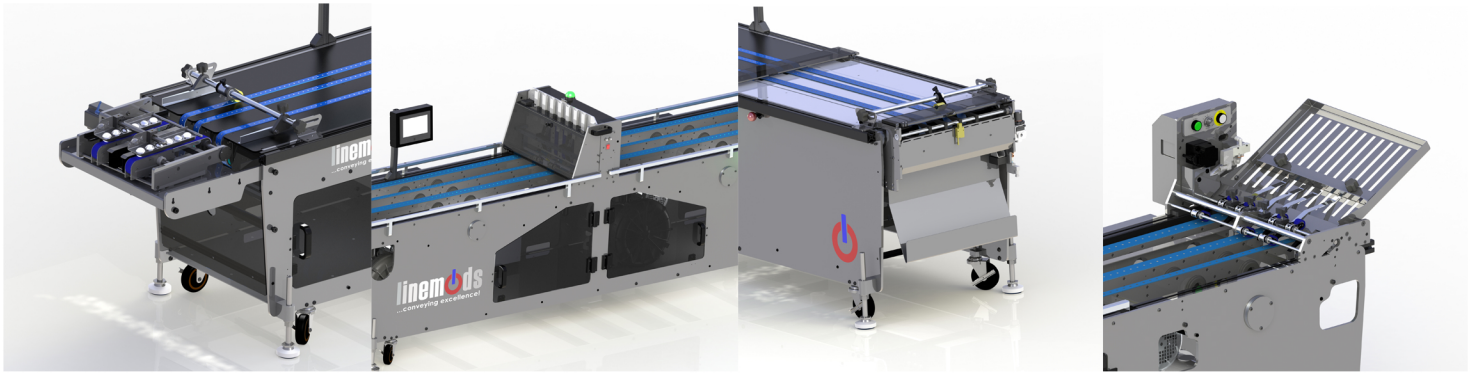
Stealth 209

9' Premium Inkjet / Dryer Base
Split Base with High-Temp Dryer Extension



Power Requirement:
200-240V 1 Phase 30AMP
Female Receptacle L6-30C
Male Plug L6-30P
Weight: 595 Lbs

Accessories



Alignment Table

Rota-Flip

Down Divert

Up Divert 20

Quality Without Compromise

Linemods Premium Inkjet - Quality without compromise, from the innovative vacuum system to the powder coated aluminum frames. Perform quick, easy setups - Linemods "Stealth" systems incorporate our patented "I Series" transport design.

System Design & Details:

All Linemods "Stealth" units are performance engineered to deliver an optimum supply of vacuum without stalling conveyor or stressing pump - We use regenerative turbine vacuum system with pressure sensors to precisely control the vacuum pressure - Linemods offers the most innovative, high performance vacuum conveyor systems available.

Feature attributes:

- > Touch-screen HMI
- > 2 year warranty
- > Simple electrical/drive components
- > Minimal tools needed to perform most set-ups/changeovers
- > Vacuum belt construction is of a friction resistant backer, perforated for vacuum integration - Timing belts provide skew free operation on the inkjet section
- > Component design - All pivot points have bearings, all components designed to last

Attributes

- > .5mm belt height (from deck)
- > Advanced vacuum modulation system
- > 3/8" Powder coated aluminum frames
- > Adj. height +5" (12.7cm) from casters
- > Tool-less adjustments
- > Integrated encoder mount
- > Upstream/downstream, speed-following

Product Capacity

Width:
2" - 21" (53cm)

Speed:
600 (183m) or optional 1000 (305m) LFPM

Product thickness range: .05mm - 13mm

Product width range: 2" - 21"

Electrical: 200-240v 1 Ph / 30amps

We can create equipment to fit your needs with optional colors, deck heights, segment configurations, and special guarding.



Capital
Mailing Equipment Inc.



SCAN ME

11701 Metro Airport Center Drive
Romulus, MI 48174
(833) 263-6245
info@CapitalMailingEquipment.com
www.CapitalMailingEquipment.com